

DRAINVAC[®].com

ATOMIK



OWNER'S MANUAL

***** Open the lid of the vacuum cleaner before using.*****

INTRODUCTION

We take this opportunity to express our gratitude and extend our congratulations for your decision to purchase a Drainvac product. There's a judicious investment you will enjoy for many years. The Drainvac Atomik central vacuum cleaner is built with the best components available on the market. They are manufactured and tested in our plant by a qualified and specially trained staff. However some installation and operation procedures must be followed to insure maximum performance and to avoid needless service calls. Please read the following carefully.

REGISTRATION

You must register your Drainvac Atomik vacuum cleaner on our website at this following address (www.drainvac.com/registration) to cover your warranty.

WARNING Owner read carefully

- Disconnect all electrical power to the wall area before installing!
- Unplug before attempting maintenance or cleaning.
- Unplug from electrical outlet when not in use and before servicing.
- Do not use with damaged cord or plug.
- Do not operate the vacuum cleaner if damaged.
- Do not modify any part of the vacuum cleaner.
- This vacuum cleaner is intended to be in a vertical position or floor mount position.
- Never vacuum flammable matters, gaseous or liquid, with your system.
- Never vacuum ash from your fire place and from ashtrays.
- Do not pick up anything that is burning or smoking, such as cigarettes, matches or hot ashes.
- Keep away from rain, snow or excessive moisture.
- Filter and dust bag must be installed in the unit all the times.
- Use only the manufacturer's attachments, filters and dust bags.
- Do not place objects in front of the vacuum cleaner.
- This vacuum cleaner should not be used by children without supervision.

Drainvac International Inc accepts no responsibility if you contravene these directives.

TABLE OF CONTENTS

Tools required	page 3
Equipment	page 4
STEP 1 : Remove the unit from the packaging	page 5
Unit dimensions	page 6
Minimum space required	page 7
Unit installation	page 8
Installation of the Activac1 exhaust filter	page 9
Installation, ready to use	page 10
Installation on a piping network	page 11
Electrical installation	page 12
Maintenance & cleaning procedures	page 13
WEEE directives	page 14
Trouble shooting	page 15
Kits A-B-C	page 16
Accessories - Filters - Dust bags	page 17
Warranty	page 18

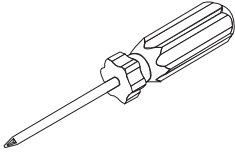
TOOLS REQUIRED



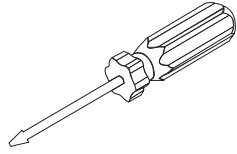
Pair of pliers



Pair of cutters



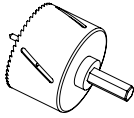
Phillips screw driver (star)



Flat screw driver



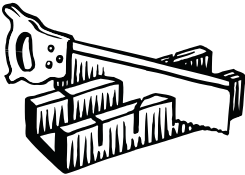
Measuring tape



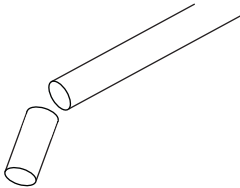
2.25 " - 57 mm
Hole saw



0.5" - 12,5 mm
Hand drill



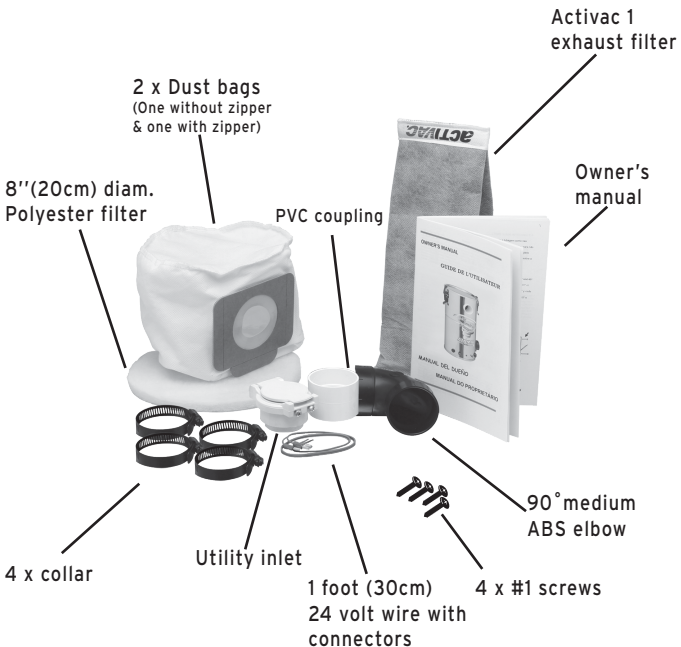
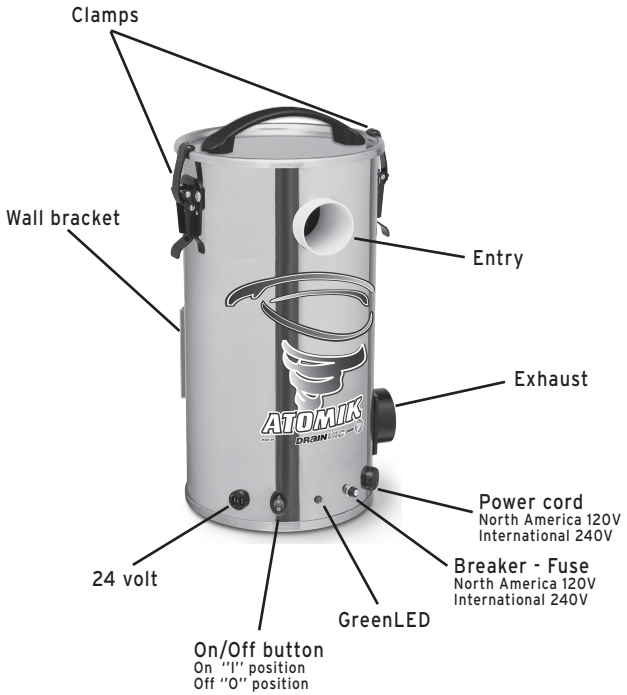
Mitre box & saw



or



Pipe cutter



STEP 1

***** Remove the Drainvac Atomik vacuum cleaner and the equipment from the packaging.*****

***** Open the vacuum cleaner before using.*****

- 1 - Detach the clamps, remove the lid and take off the plastic bag.
(The plastic bag included equipment for the installation of the unit. Keep it near the unit).



- 2 - Make sure the polyester filter and dust bag are properly installed.

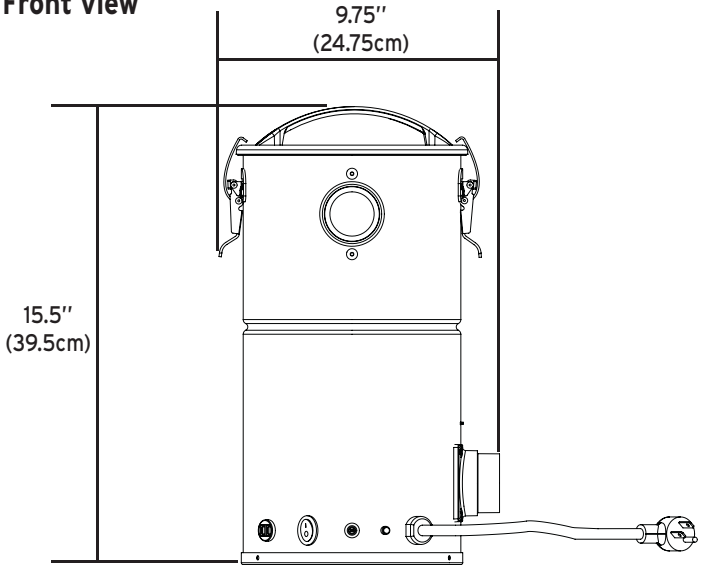


- 3 - Replace the lid on the unit and attach the clamps.

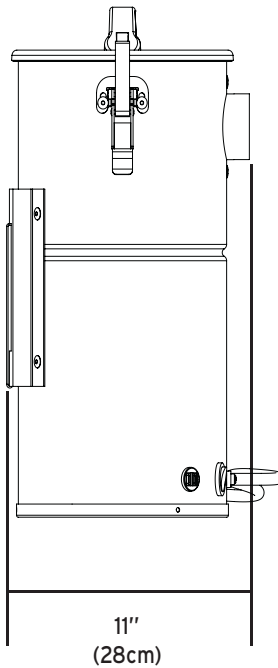


UNIT DIMENSIONS

Front view

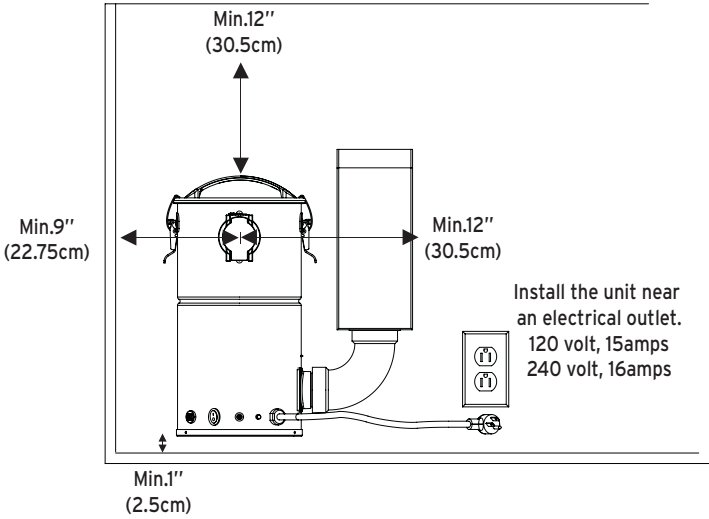


Side view

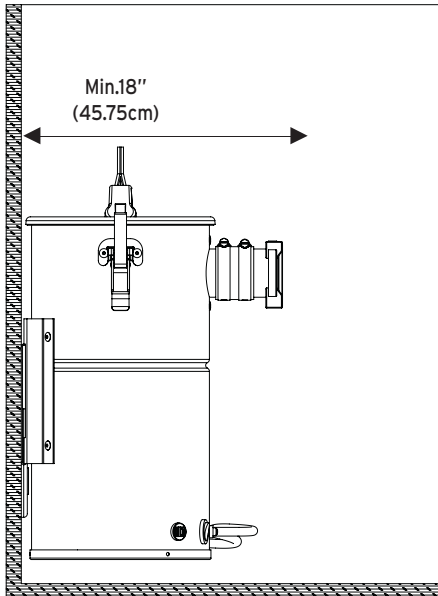


MINIMUM SPACE REQUIRED TO INSTALL THE UNIT

Front view



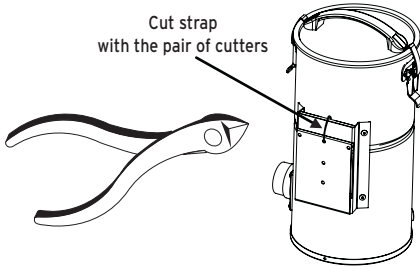
Side view



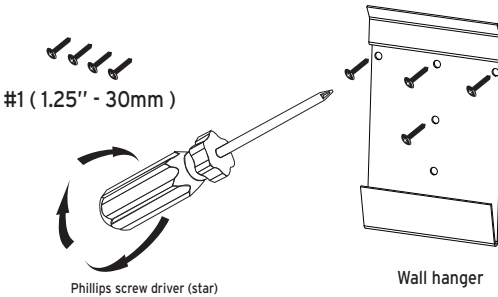
UNIT INSTALLATION

How to install the unit?

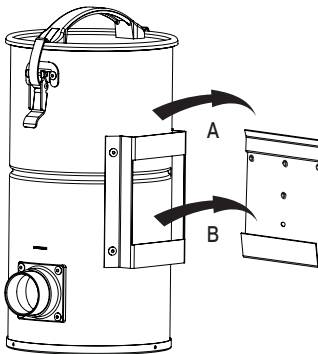
- 1- Remove the wall plate that is attached to the back of the unit using the pair of cutters.



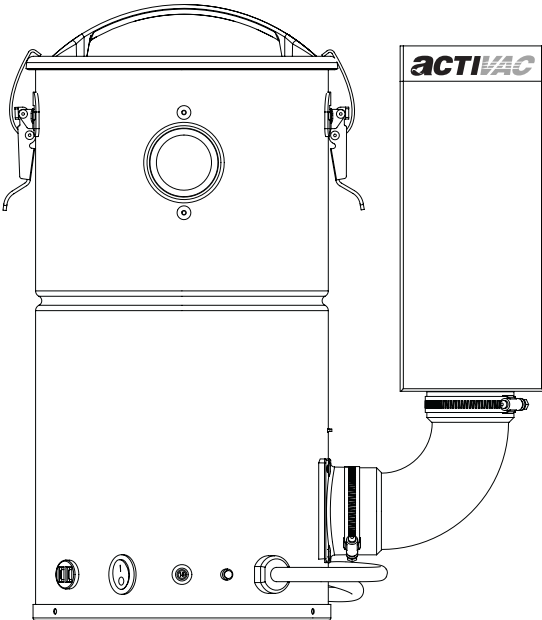
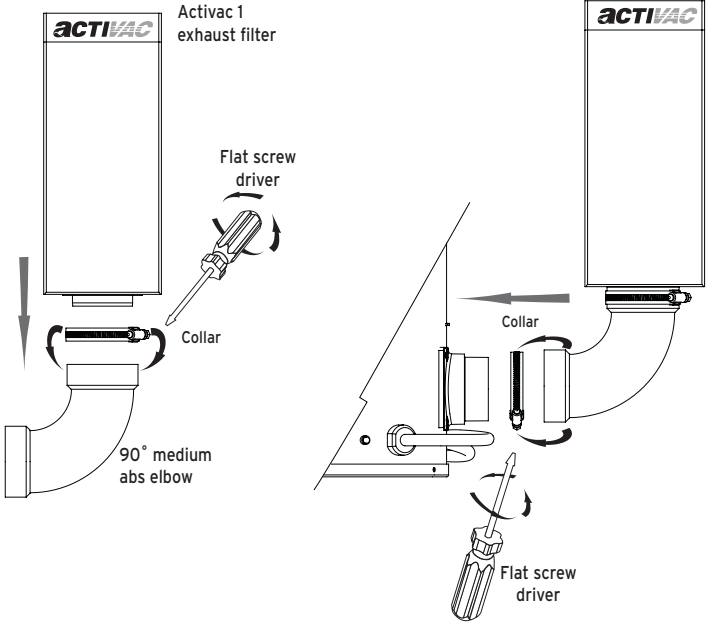
- 2- Fasten the wall plate to the wall using the 4 x #1 screws included with the unit.



- 3- Lift the unit and install the top part (A) of the unit bracket behind the top part of the wall plate. At the same time, install the bottom part (B) of the unit bracket inside the bottom part of the wall plate.

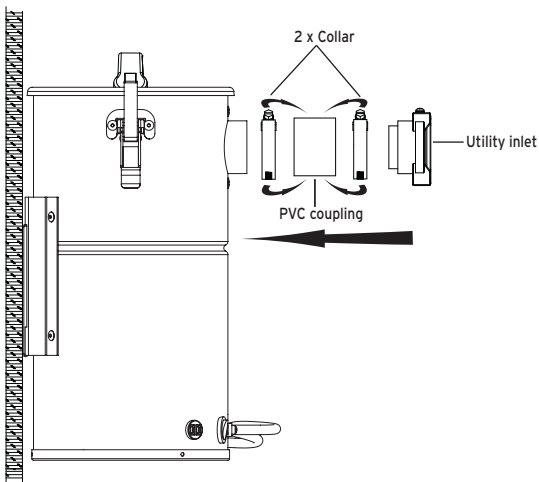


INSTALLATION OF THE EXHAUST FILTER

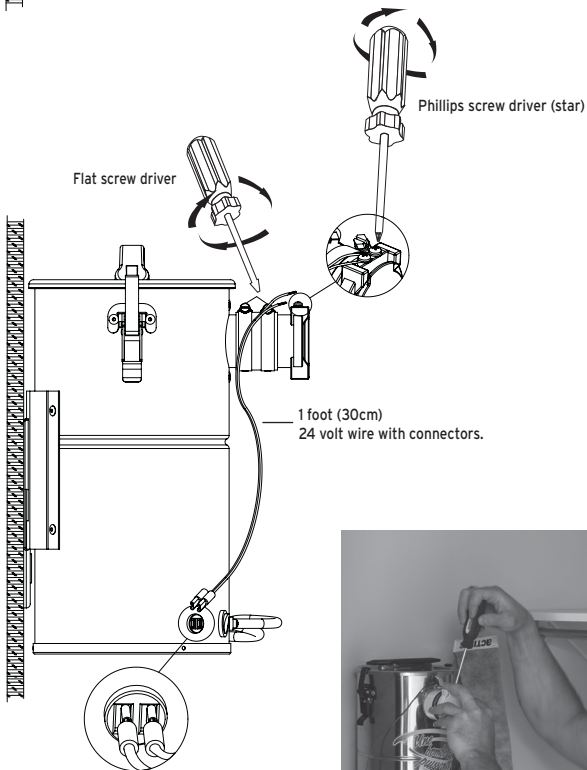


DRAINVAC ATOMIK, READY TO USE

1

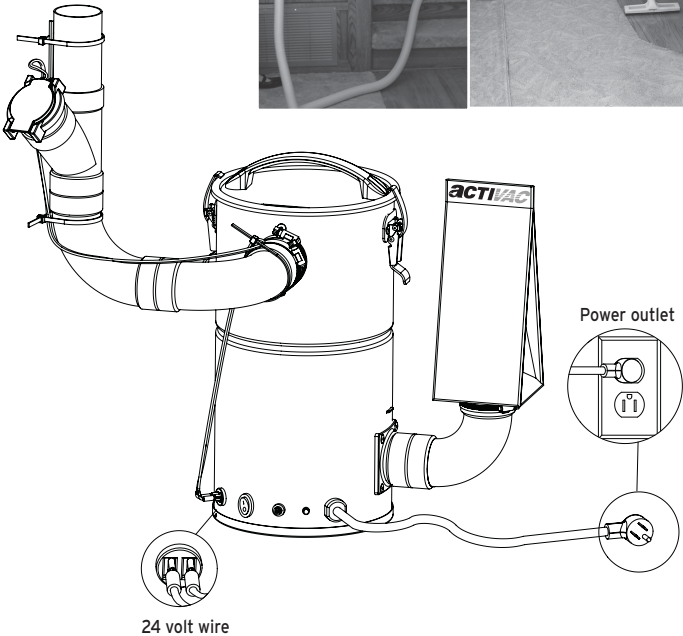
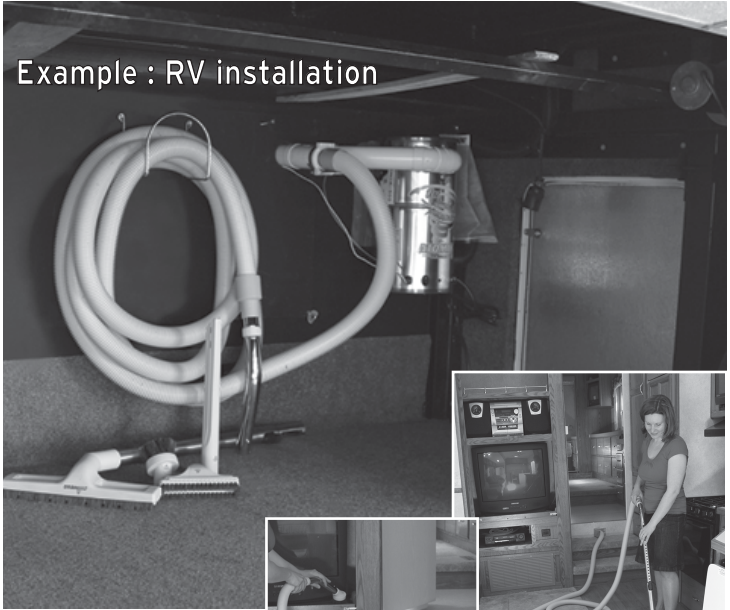


2



INSTALLATION ON A PIPING NETWORK

In a condo, in a garage, in a RV, in the mecanic room...



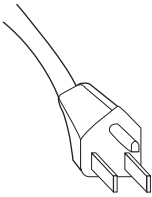
ELECTRICAL INSTALLATION

The Drainvac Atomik vacuum cleaner is equipped with one electrical cord. An adequate electrical power outlet must be installed close to the unit.

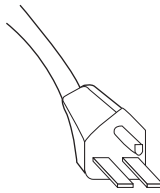
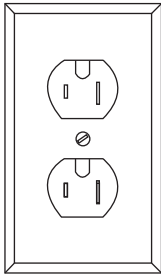
We strongly recommend installing an electrical circuit that will be used only by the unit.

North American model : ATOMIK6 require an 15 amps/120 volt circuit.
International model : ATOMIK60 require an 16 amps/240 volt circuit.

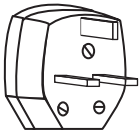
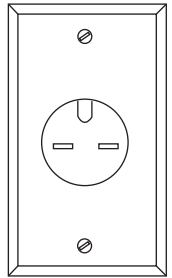
Also plan the 24 volt between the unit, the piping system and the inlets.



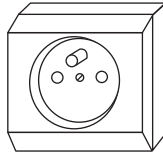
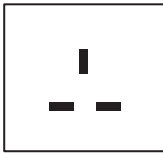
Type B



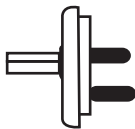
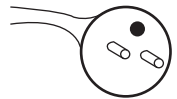
Nema 6-15(220v)



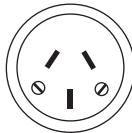
Type E



Type G



Type I



MAINTENANCE AND CLEANING PROCEDURE

All mechanical systems require a minimum of maintenance, your system is not an exception. Beyond the occasional external cleaning, we recommend a complete inspection of the motor brushes after 500 hours of usage. (1000ft /100 m2 represents 1 hour of usage for each use).

For a house approximately 2500 sq. ft./ 250 sq. m.

On average, the frequency of inspection is once every 3 to 5 years.

Also you must change the polyester filter & the dust bag periodically. This will stabilise the efficiency of the unit and will cut down from 5 to 6 times the maintenance of your unit.

Cleaning procedure :

1 - Detach the clamps, remove the lid from the unit.

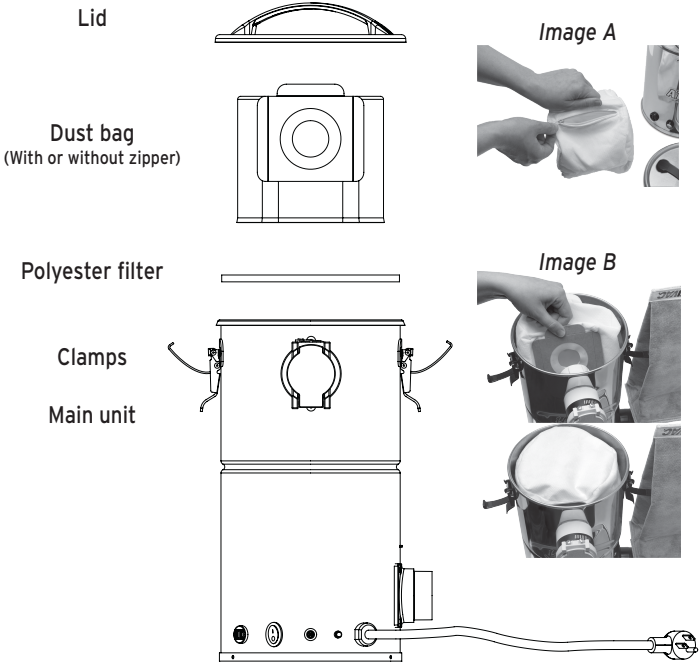
2 - Remove and discard the dust bag and the polyester filter.

If you use a dust bag with a zipper, you can re-use it a few time all depending on the use (Image A). The misuse of this bag may invalidate the warranty.

3 - Install a new dust bag & polyester filter (Image B).

You can install the zipper bag if the above conditions are respected.

4 - Reattach the lid to the main unit.



* IF THE UNIT IS USED WITHOUT ITS FILTERS, THE WARRANTY WILL BE VOID.

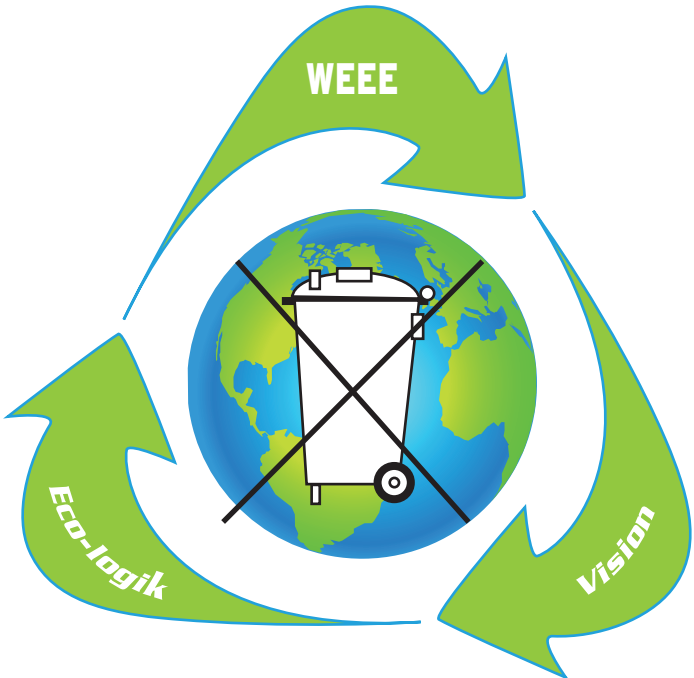
WEEE DIRECTIVE

This appliance has been assessed in accordance with the European Parliament Directive on Waste Electrical and Electronic Equipment, usually referred to as the WEEE Directive.

The WEEE Directive requires that the appliance be disposed of at the end of its useful life in an environmentally responsible manner. Parts and materials should be re-used or re-cycled in order that the use of new resources and amount of waste going for landfill be minimized.

The WEEE Directive stipulates that the supplier should collect the used item without cost to you. Please inform the supplier of your wish to have the old appliance collected when ordering the new replacement.

If you wish to dispose of the appliance yourself, do not mix it with unsorted municipal waste. The crossed-out wheeled bin symbol on the unit label indicates this requirement. You must ensure that the appliance is disposed of at an authorized treatment facility. Details can be obtained from your local council.



TROUBLE SHOOTING

PROBLEM : The unit will not start

- 1 - Check the circuit breaker on your electrical panel.
- 2 - Check the circuit breaker of the unit. (*Image C*)
- 3 - Check the 24 volt circuit:

To check the 24 volt circuit, proceed as follow :

- Establish the contact between the two ports of a wall mounted air inlet valve with a piece of metal (ex. coin (*Image D*)). If the system starts, the suction hose is defective. See your dealer.
- If the system does not start check the 24 volt wires on the unit (*Image C*); Establish the the contact between the two screws of the 24 volts circuit plate using a piece of metal (ex. Screw driver (*Image E*)). If the unit starts, the 24 volt wire is either cut OR unplugged from one of the wall mounted air inlet valves.
- If the system still do not start after steps 1, 2 and 3, the printed circuit is defective. Call your dealer.

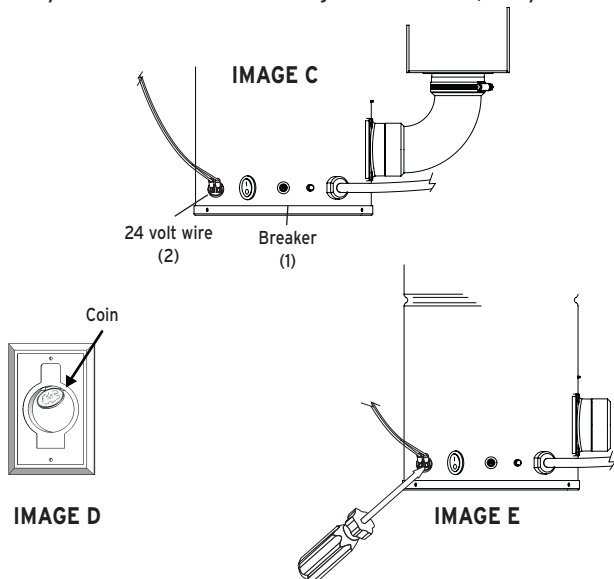
PROBLEM : The unit will not stop

Check the 24 volt circuit as follows :

- Disconnect one of the two 24 volt wires on the unit (*Image C*). If the unit stops, the two wires are in contact somewhere in the circuit OR a wall mounted air inlet valve is defective.

If the unit does not stop, the printed circuit is defective. Call your dealer.

NOTE : If you notice a vibration coming from the motor, call your dealer.



A

ZIP1021 ZIPBROOM kit
 20' (6m) extensible hose
 + tools, hose hanger and handle



B

TGA30-6 Econo kit
 30' (9m) regular hose
 + brush, tools kit, hose hanger
 & telescopic handle



C

KIT130C DELUXE kit
 30' (9m) on/off hose
 + brush, tools kit, accessory hanger
 & telescopic handle



ACCESSORIES

- **Rotating carpet brush**



- **Hose cover**



- **1 x Polyester filter & 3 x Dust bags by pck.**
(Choice with or without zipper)



- **Activac 1 filter**



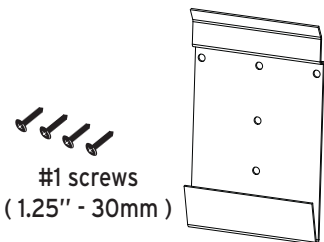
- **1,2 or 3 inlet installation kit** • **Dustpan installation kit**



- **Utility inlet**



- **Extra screws & wall hanger**



All illustrations, specifications, colors and photographs shown may vary. While Drainvac International takes care to ensure that the information contained in this publication is accurate, it cannot guarantee complete accuracy. Drainvac International is not responsible for errors or omissions contained in this publication.

WARRANTY

Warranty covers any defect in material or workmanship produces by Drainvac International Inc. It excludes damage caused by normal wear and tear, misuse & modification.

RESIDENTIAL **see conditions*

5 years for : Motor - Parts - Caissing - Labor
3 years for accessories

*** Conditions for the residential warranty :**

- Excludes the motor brushes.
- Labor at the dealer store or plant
- Freight at the customer's expense
- Have purchase invoice

*** Warning, the service call made by dealer is at the customers expense.**

COMMERCIAL **see conditions*

1 year for : Motor - Parts - Caissing - Labor
1 year for accessories

*** Conditions for the commercial warranty :**

- Excludes the motor brushes.
- Labor at the dealer store or plant
- Freight at the customer's expense
- Have purchase invoice

*** Warning, the service call made by dealer is at the customers expense.**

If you wish to speak to a service agent, please contact your retailer
or Drainvac International Inc
Monday to Friday from 9am to 4pm (eastern time) at :

T : 1 800 408-1448 • (450) 467-1448
F : 1 877 408-2225 • (450) 467-2225
info@drainvac.com • www.drainvac.com
<http://www.youtube.com/drainvacchannel>



OWNER'S MANUAL

DRAINVAC ATOMIK • PRINTED APRIL 4th 2011



DRAINVAC^{com}

ATOMIK