

# Garage Vac Mk2

by **interVac**  
DESIGN CORP

RECORD THIS INFORMATION FOR  
FUTURE REFERENCES

MODEL NUMBER \_\_\_\_\_

DATE OF PURCHASE \_\_\_\_\_

PLACE OF PURCHASE \_\_\_\_\_

Manual # M-12, rev: 7-9-2019

**MODEL GF-120** Volt  
**VAC 220, Model GF220** Volt  
FOR RECESS/FLUSH MOUNTING INTO  
A WALL OR CABINET

**MODEL GH-120** Volt  
**VAC220, Model GH220** Volt  
SURFACE MOUNTING ON WALL OR CABINET

Install GarageVac as close to the garage door as possible



**IF YOU SHOULD HAVE ANY QUESTIONS OR EXPERIENCE A PROBLEM WITH YOUR INTERVAC PRODUCT, DO NOT RETURN THIS PRODUCT TO THE STORE OR DEALER PLEASE CALL OUR CUSTOMER SERVICE DEPT. We are here to help.**

**WARNING: Owner read carefully.**

**This manual must be read and understood before installation, adjustment, service or maintenance is performed. This unit should be installed by a qualified technician.**

**Modification of this product can be extremely hazardous and could result in personal injury or property damage. Instructions must stay with unit.**

**InterVac Design Corp.**

2939 SW 42nd Ave. Palm City, Florida 34990

Phone 772-463-1400 • USA & Canada toll free 888-499-1925

www.garagevac.com • e-mail: sales@intervacdesign.com



RoHs AS/NZS

# IMPORTANT SAFETY INSTRUCTIONS



## Polarization Instructions for models with 120volt cord only.

These appliances have a polarized plug (one blade is wider than the other). This plug will fit in a polarized outlet only one way. If the plug does not fit fully in the outlet, reverse the plug. If it still does not fit, contact a qualified electrician to install the proper outlet. Do not change the plug in any way.

When using an electrical vacuum cleaner, basic precautions should always be followed including the following: Read all instructions carefully before using this vacuum cleaner.

## WARNING: TO REDUCE THE RISK OF FIRE, ELECTRIC SHOCK, OR INJURY:

1. Unplug from electrical outlet when not in use and before servicing.
2. Do not use on wet surfaces.
3. Never operate this vacuum cleaner without a dust bag and filters in place.
4. Close attention is necessary when used by or near children. Do not allow unit to be used as a toy.
5. Use only for intended use as described in this manual. Use only the manufacturer's recommended attachments and dust bag.
6. Do not use with damaged cord or plug. If appliance is not working as it should, has been dropped, damaged, left outdoors, or fell into water, return the vacuum cleaner to InterVac or an authorized service dealer for examination and repair.
7. Do not put any object into openings. Do not use with any openings blocked; keep free of dust, lint, hair and any other material that may reduce air flow. If the secondary filter becomes dirty, rinse in warm water or replace with a new filter. Filter should be completely dry before using.
8. Never drop or insert any object into any opening.
9. Turn off all controls before unplugging.
10. Do not pull or carry by cord, do not use cord as a handle, do not close a door on the cord, or pull cord around sharp edges or corners. Do not run over cord. Keep cord away from heated surfaces.
11. Do not unplug by pulling on cord. To unplug, grasp the plug, not the cord.
12. Keep hair, loose clothing, fingers, and all parts of body away from any openings and all moving parts.
13. Do not pick up anything that is burning or smoking, such as cigarettes, matches, or hot ashes.
14. Use extra caution when cleaning on stairs.
15. Do not handle plug or appliance with wet hands.
16. Do not pick up flammable or combustible liquids such as gasoline, or use in areas where they may be present.
17. Do not place objects against the vacuum cleaner. Keep area clear.
18. Do not step on the hose or pull the hose forcibly.
19. Do not pick up large objects such as waste paper or cloth, which may clog the hose.
20. Do not install this vacuum cleaner in an area exposed to high temperatures.
21. Install this vacuum cleaner in a dry place.
22. Do not attempt to service the vacuum cleaner. Unit is sealed and cannot be opened without damage to the unit. For service, call your local authorized service dealer, or InterVac Design's Customer Care Center.

## SAVE THESE INSTRUCTIONS

### LIMITED WARRANTY

InterVac Design Corp. will repair the power unit with new or rebuilt parts, free of charge for six (6) years in North America from the date of original purchase in the event of a defect in materials or workmanship. Warranty might vary from country to country. No cash refunds. Excluded are the following items that require normal replacement:

Disposable dust bags, filters, vacuum cleaner tools and vacuum hoses.

This warranty is extended only to the original purchaser. A purchase receipt or other proof of date of original purchase will be required before warranty performance is rendered.

**You must return your warranty card or register on our website in order to be covered under these provisions.**

This warranty only covers failures due to defects in materials or workmanship which occurs during normal use and does not cover damage which occurs in shipment or failures which are caused by products not supplied by InterVac Design, or failures which result from accident, misuse, abuse, neglect, mishandling, misapplication, alteration, modification, or commercial use such as hotel, office, restaurant or rental use of the product, or service by anyone other than an authorized service center, or damage that is attributable to acts of God.

There are no expressed warranties except as listed above.

### LIMITS AND EXCLUSIONS:

INTERVAC DESIGN SHALL NOT BE LIABLE FOR INCIDENTAL OR CONSEQUENTIAL DAMAGES RESULTING FROM THE USE OF THIS PRODUCT, OR ARISING OUT OF ANY BREACH OF THIS WARRANTY. ALL EXPRESSED AND IMPLIED WARRANTIES, INCLUDING THE WARRANTIES OF MERCHANTABILITY AND FITNESS FOR A PARTICULAR PURPOSE, ARE LIMITED TO THE APPLICABLE WARRANTY PERIOD SET FORTH ABOVE.

Some states do not allow the exclusion or limitation of incidental or consequential damages or limitations on how long an implied warranty lasts, so the above exclusions or limitations may not apply to you. This warranty gives you specific legal rights that vary from state to state. If a problem with this product develops during or after the warranty period, you may contact your dealer or our service center. If the problem is not handled to your satisfaction, then write to the Customer Service Center at the company address.



## **MODEL: GH-120 and GH220**

**Specification: 120 Volt, 10 Amp 50/60Hz, 530 Airwatts, Weight 9 lb  
220/230 Volt, 5 Amp, 50/60 Hz, 530 Airwatts, 4 kg**

### Parts List:

Tool Caddy	#H-170 (E,W or R)	Crevice Tool	# X-200
Hose Retainer	#H-180	Telescoping Wand	# X-157
Arch Hose Holder	#H-181 with CV hose only	Snake wand	# X-511
Vacuum Hose	#AS-12 (A-002)	2 high filtration dust bags	# Y08
Wand Holder	#X-153	Paper Template	# L-40 see page 12
Bare Floor Tool	#X-404	7 #8 screws	
Dash Board Brush	#X-251	3 dry-wall anchors or 7 concrete anchors(220 volt CE units)	
Upholstery Tool	#X-300	1 red push pin for dry wall anchors	

## **Surface mounting to Wood or Block Wall**

- Step 1a.** For maximum coverage, choose a wall or surface that is **located close to the garage door** and has an electrical outlet close by.
- Step 2a.** Remove paper template from the back page of the instruction manual and tape to the wall or surface use a level for alignment. GarageVac should be installed a minimum of 3 inches (75mm) from the floor for the exhausting air. Mark the centers of the keyholes **very accurately** with an awl or similar object. Carefully remove template from the wall and place it with the manual for future reference.
- Step 3a.** Attach four of the #8 screws to the wall as marked on the template leaving the screw heads 1/8" (3.2mm) from the surface of the wall or use concrete anchors.
- Step 4a.** To insure the screws are in the proper place, install GarageVac **without** the tool caddy attached by aligning the keyholes on the back of the unit with the screw heads on the wall and push down on the GarageVac to secure it in place. If the vacuum cleaner is loose you will need to tighten the screws further.
- Step 5a.** Remove GarageVac from the wall and attach the tool caddy by sliding the "dove tails" on the bottom of the caddy into the grooves on top of the unit. You will hear a click when the pin on top of the housing clicks into the corresponding hole on the tool caddy. Install the GarageVac with the tool caddy onto the screw heads as described in Step 4. If you need to you can install another screw through the top hole in the tool caddy.
- Step 6a.** Place the hose retainer on the front panel of vacuum with the 2 small black screws for the retainer, you will see a very small blemish on the front panel where the screw can penetrate.
- NOTE:** **The hose retainer will fit onto the front panel only if you can read the 'Warning' impression correctly.**
- Step 7a.** Check to be sure the dust bag and motor filter (located under the dust bag) are in place. The motor filter should be laying flat in all four corners, with all 4 corners under the vertical ribs.

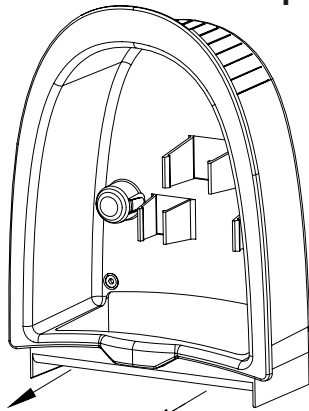
## **Surface mounting to Drywall Surfaces (1/2" 13mm thick)** see page 4, Fig.: A)

- Step 1b.** For maximum coverage, choose a wall or surface that is **located close to the garage door** and has an electrical outlet close by.
- Step 2b.** Remove paper template from the back page of the instruction manual and tape to the wall or surface. GarageVac must be installed a minimum of 3" (75mm) from the floor for the exhausting air. Align the template so that 2 vertical center points of the template are aligned over the centerline of a 2x4 stud behind the drywall for additional stability. Use a level for alignment.
- Step 3b.** With an awl or similar pointed object mark the center of the key holes **accurately**. Carefully remove template from the wall and place with the manual for future reference.
- Step 4b.** Using a 3/32 drill bit, pre-drill all 4 holes.
- Step 5b.** Use a 5/16 drill bit to enlarge **only** the 2 holes which go through the drywall without stud support. These are the holes that require 2 drywall anchors.
- Step 6b.** Squeeze the two arms of the plastic anchor together and insert through the hole. **Very lightly** hammer the anchor **flush** with the drywall surface.
- Step 7b.** Insert the red key-pin and push firmly to toggle the anchor open behind the drywall. Remove red pin.
- Step 8b.** Attach all four #8 screws through the marked keyholes. Keep the screw heads 1/8" from the wall surface. **Follow steps 4a through 7a above.**

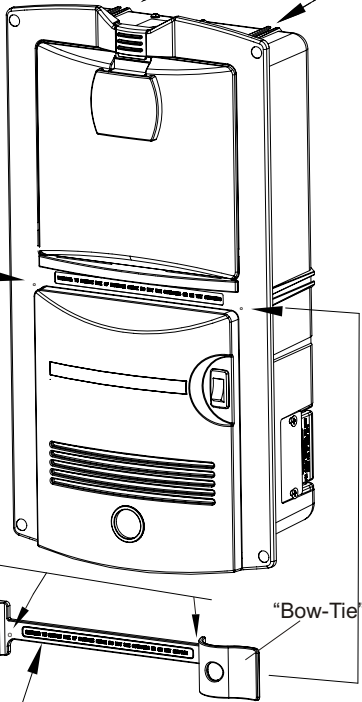
**MODEL:  
GH-120 volt  
GH-230 volt**

**Fig: A**

slide tool caddy into dove-tails and push to lock over pin



You will notice a round blemish on the surface. The surface there is very thin and can be easily poked through with an awl for the 2 screws to attach the "bow-tie"



"Bow-Tie"

'Warning' has to be readable, retainer will not fit upside down

**WAND HOLDER Installation:**

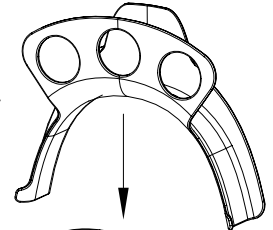


**1:** for wood surface use 2 screws

**2:** for dry-walls use two 1-1/2 long screws from the fastener package. NOTE: the wand holder should be mounted against a wall stud for extra strength.

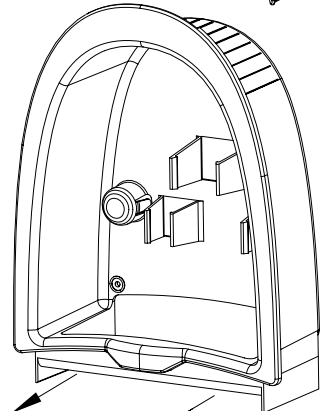
**Fig: B**

snap hose hanger over flange

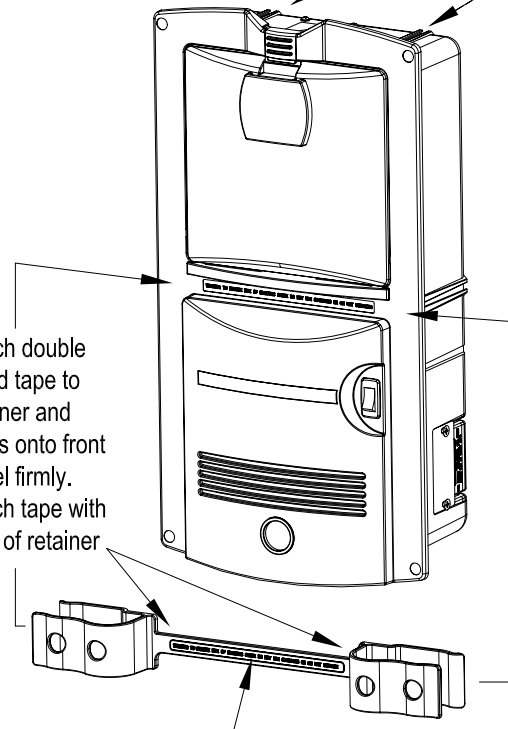


**MODEL:  
GF-120 volt  
GF-230 volt**

slide tool caddy into dove-tails and push to lock over pin



attach double sided tape to retainer and press onto front panel firmly. Match tape with radii of retainer



'Warning' has to be readable retainer will not fit upside down

## **MODEL: GF-120 and GF220**

**Specification: 120 Volt, 10 Amp 50/60Hz, 530 Air Watts, Weight 9 lb**  
**230/240 Volt, 5 Amp, 50/60 Hz, 530 Air Watts, 4.5 kg**

### Parts List:

Tool Caddy	#H-170 (E,W or R)	Upholstery Tool	#X300	3 Wire Nuts, 120 volt units only
Hose Retainer	#H-190	Telescoping Wand	#X157	Double Side Tape
Hose Hanger	#H-191	Snake wand	#X-511	
Vacuum Hose	#AS-12 (A-002)	2 Dust Bags	#Y08	
Wand Holder	#X-153	Paper Template	#L-45 (W605)	
Bare Floor Tool	#X-404	22" long Wood Strip, for Dry-Wall only		
Dash Board Brush	#X-251	6x #8 Screws		
Crevice Tool	#X-200			

### **GROUNDING INSTRUCTIONS for GF-120 volt only , WHEN PERMANENTLY WIRED**

This appliance must be connected to a grounded metal, permanent wiring system; or an equipment-grounding conductor must be run with the circuit conductors and connected to the equipment-grounding terminal or lead on the appliance.

**WARNING:** Disconnect all electrical power to the wall area before installing!

Do not drill near studs where electrical cable may be secured to studs adjacent to receptacles.

**Note:** **The 4 mounting holes in the outer corners of the flange of the Vacuum Cleaner must be drilled from the back of the unit with a 3/16" (4.5mm) drill bit when the unit is to be recessed into a wall.**

To reach with the vacuum hose as far as possible, choose a wall or surface that is centrally located and has an electrical outlet or switch from a 16 amp circuit breaker. Make sure the wall is hollow and there are no pipes or other obstructions in the section you choose.

**TIP:** *Find a place that is close to the garage door so that you can clean your car in the driveway as well as inside the garage.*

## **Recessed (flush) installation into Drywall (Gypsum Wall)** (see page 4)

**We recommend that the vacuum cleaner be mounted against the side of a wall stud for added stability.**

**TIP:** Drywall installation: with a 3" dia. hole saw, cut a hole first and check for obstructions! It is easier to re-plaster the 3" dry-wall slug than a large cut-out if you do encounter an obstruction.

**Step 1** The vacuum cleaner should be mounted to the side of a wall stud for added stability. Make sure **NO** electrical switches or outlets are on the installation side of the 2X4, because the body of the vacuum cleaner will be tight against the stud when installed.

**TIP:** Having the power supply in the same wall cavity of the cut-out will shorten installation time.

**Step 2.** Tape the template against the wall at a comfortable operating height, keep the exhausting air of the vacuum clear

**Step 3.** Refer to the paper template # **L-45** for the cut-out.

**Step 4.** Install 14 gage (1.0mm) AWG, 300V minimum Romex cable (use wires rated for at least 95C) from the electrical power supply and pull the power cable through the wall cut-out.

**Step 5.** a) Remove the side cover plate of the vacuum and pull the 3 inside wires through the opening (**North America**).

Remove the side cover plate of the vacuum and pull the 2 wires with the terminal block out (**Europe**).

b) **North American installations**, Insert your 120 volt power supply cable through the Romex clamp and out through the side opening.

With 3 wire nuts connect **black to black, white to white** and **green to bare ground conductor** wires.

c) **European installations:** (220/230 volt) do not require a ground wire, connect the power cable to the terminal block inside the housing. The vacuum cleaner is **double** insulated.

d) Tighten the Romex clamp (**US**). With a pair of pliers insert the cable with the strain relief (**CE**) and replace the side cover.

**Step 6.** Slide the unit, bottom first, into the opening and secure with the four screws.

Use 2 screws for the wall stud and 2 screws for the 2 anchors. Do not over-tighten.

**Step 7.** Attach the hose retainer to the front of GarageVac by removing the protective paper from the double sided tape and press-on firmly.

**NOTE:** **The hose retainer will fit onto the front panel only if you can read the 'Warning' impression correctly.**

**Step 8.** Check to be sure dust bag and motor filter (under dust bag) are in place.

The motor filter has to lay flat in all 4 corners under the vertical ribs, please check.

## **Recessed into Wood Surface Installation** (if the back panel is accessible, Romex cable is not required)

Same procedure as above, but do not use the drywall anchors. From the back of the vacuum open the 4 corner holes with a 3/16" (5mm) dia. drill bit and secure vacuum cleaner with the 4 screws and screw caps.



**NOTE: THE LOWER PART OF THE VACUUM CLEANER WILL BE QUITE WARM WHEN IN USE.**

**IF THE VACUUM STOPS RUNNING DUE TO OVERHEATING: turn the switch to “O” position  
THE THERMAL PROTECTOR ON THE MOTOR WILL RESET AUTOMATICALLY AFTER ABOUT 1 HOUR.  
PLEASE SEE TROUBLE SHOOTING GUIDE.**

## **A. Connecting and disconnecting the hose.**

1. Lift the inlet valve cover on the front of the door.
2. Insert hose cuff with a **twist and a firm push** to secure.
3. To remove, turn hose in either direction while pulling hose towards you.

## **B. On / Off Switch**

1. To start the vacuum cleaner, push the switch to the “I” position.
2. To stop the vacuum cleaner, push the switch to the “O” position.

## **C: How to change the dust bag,**

**Replacement bag: Part # Y08 high filtration 5 layer fiber dust bag.**

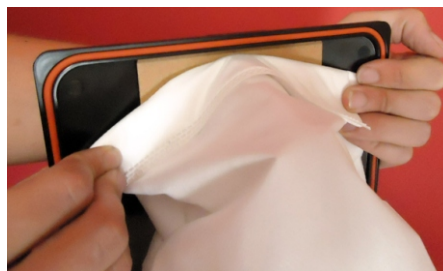
1. Open the door on the vacuum cleaner by pushing the latch upward and remove both door and dust bag.
2. Carry door and dust bag to the trash container. Remove full bag and discard.
3. Place a new dust bag all the way over the scoop tight against the door.
4. When closing door, tuck in the top part of the bag, so the door is properly sealed and the latch clicks into place.

**TIP:** If you break off the vacuum hose inlet cover, simply reattach it by lining up one of the small dimples located on the inside of the inlet cover and then press hard on the other side to click into position.

**DO NOT REUSE DUST BAG, the pores in the bag will clog after the bag is filled the first time.**



slide the collar of the dust bag over the black pipe



push the cardboard collar of the bag tight against the door



push the top edge of the bag inside the vacuum when closing the door

## **D: To change motor filter, Replacement Part # Y21 (see Fig. E)**

1. Remove door and dust bag.
2. Reach into the cavity towards the bottom of the vacuum cleaner and remove the motor filter.
3. Replace the filter with a new filter and tuck in the corners so that the filter lays flat on the grid.
4. If necessary, clean the dirty filter by vacuuming or washing in mild soap by hand.

**Do not clean in washing machine. Let filter dry completely and reuse as needed.**

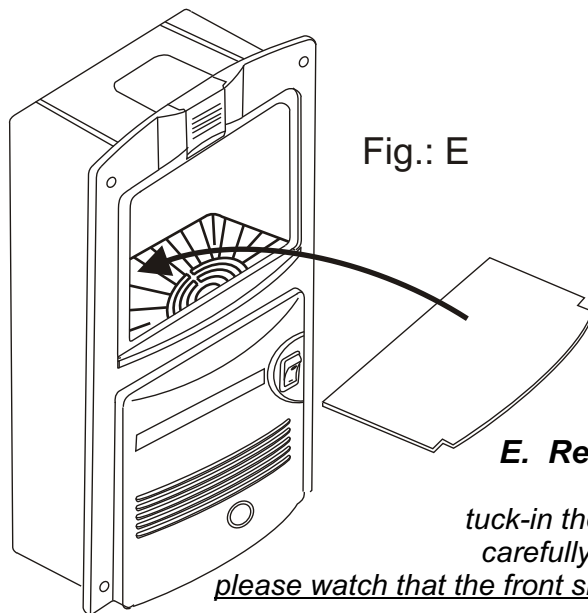


Fig.: E

**E. Replacing motor filter  
Part # Y21**

*tuck-in the corners and all 4 sides  
carefully under the vertical ribs,*

*please watch that the front side (which you cannot see) is under the ribs*

**TROUBLE SHOOTING:**

**TIP :** If you use our very convenient stretch hose, but require more suction power or do not like the pull-back of the hose we recommend you try our standard 30 foot central vacuum hose. Part # A003-H

**NOTE: IF MOTOR SUDDENLY STOPS:**

1. The most common cause is a clogged hose. See cleaning instructions.  
**Do not reuse dust bag.** the pores in the bag clog after the first use, the motor will overheat and stop.

**TIP:** Disconnect vacuum hose from cleaner, hold one end high up in the air and drop a quarter or similar object into the hose. If the quarter gets stuck the hose is clogged. Try to unclog the hose with a long stick.

2. The bag is overfilled or fine dust has clogged the bag.
3. The vacuum cleaning tools are clogged.
4. Vacuuming large amounts of dust other than household dirt, such as dry-wall or fine wood dust can block the bag's pore's fast, **even if the bag is new.**
5. The motor filter is dirty and should be cleaned or replaced.
6. If vacuum unit is installed in a tight compartment and air cannot exhaust, the motor can overheat and shut off until it cooled down.

**CLEANING THE STRETCH HOSE:**

**The stretch hose, besides all its conveniences, has a tendency to get clogged, especially if you have pets.**

- a) lift the hose up on both ends and dispense some liquid detergent into both ends.
- b) with a garden hose, holding both ends still up, fill  $\frac{3}{4}$  with water.
- c) shake hose up and down, let detergent loosen the dirt.
- d) stretch the hose as far as you can (2 people required ) and wash the dirt out with the full pressure of the garden hose. Repeat if necessary.
- e) Hang hose up, let hose drain and dry completely, it might take 24 hours.

**CAUTION:**

**DO NOT PICK UP LIQUIDS, LIT CIGARETTES, HOT ASHES,  
RAZOR BLADES, NEEDLES, PINS OR OTHER SHARP OBJECTS!**

## Vacuum Tools supplied



Floor Tool with horse hair  
PART# X404



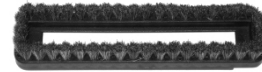
40' Stretch Hose with short grip.  
Assembly PART# AS-12 (A002)



Wand Holder  
Part # X153



2 Part Upholstery Tool with horse hair  
PART # X300



Elongated Brush for Car Dash Board. PART# X251



22" Snake Wand to vacuum in the tightest spaces.  
PART # X511



Crevice Tool  
PART # X200

Telescoping Wand, PART # X157



**REPLACEMENT DUST BAGS:**  
PART # Y08-5 (5 pack) HEPA Type 5 layer fiber filtration bags for all H, F and RM Models

NOTE: All Power Units come with 2 Dust Bags



30 Feet long Traditional Central Vacuum Hose  
PART #AS-20 (A003)

## OPTIONAL VACUUM TOOLS

for more information  
please go to our web site



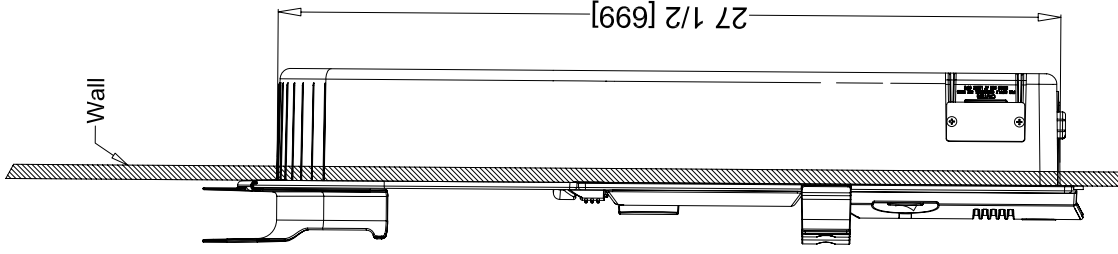
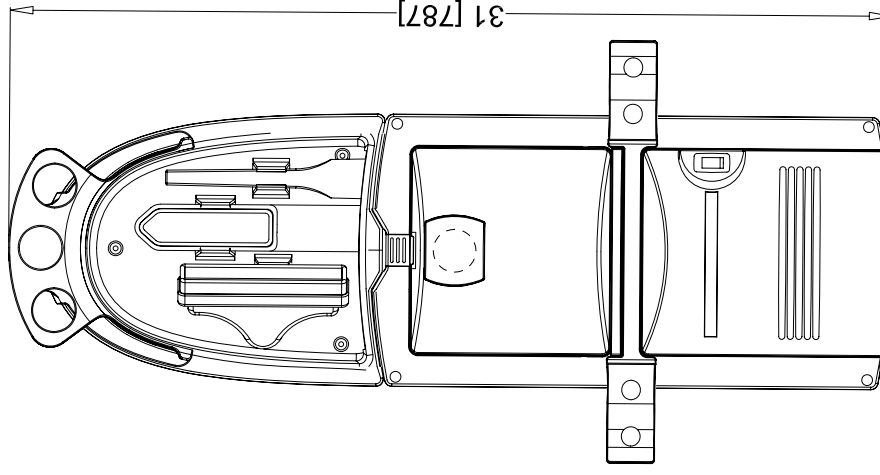
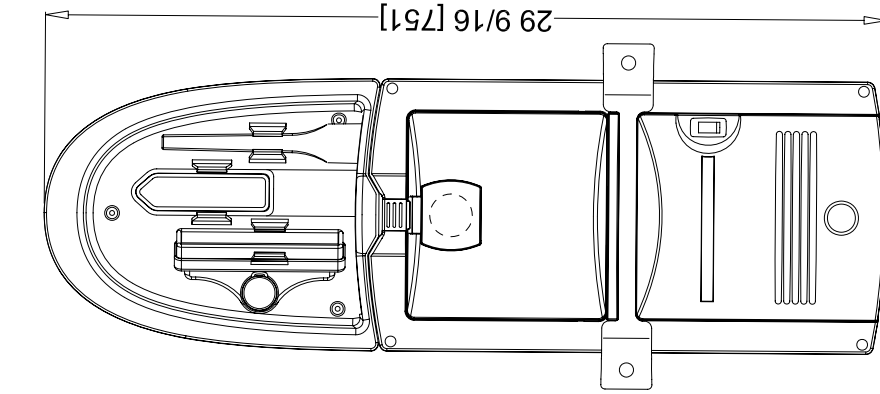
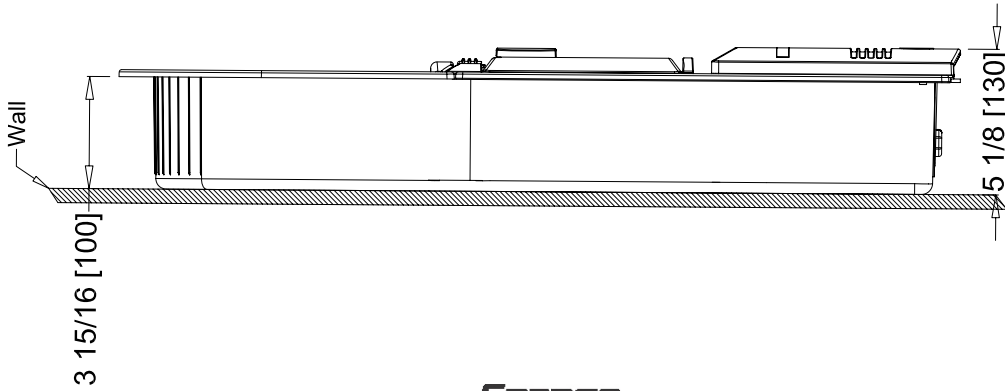
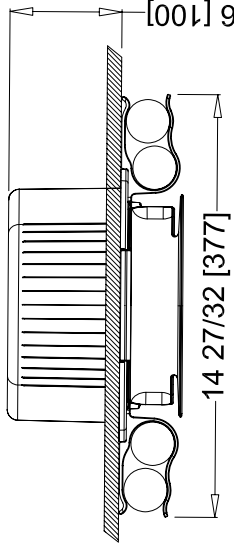
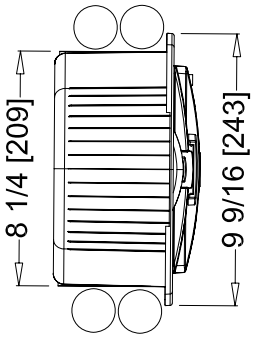
Please note:  
For questions about our 2 types of vacuum hoses go to [www.garagevac.com](http://www.garagevac.com)  
Or call us direct.

Small Air Turbo Nozzle for upholstery  
PART # X451



interVac reserves the right to make improvements and modifications without notice.





**MODEL GH-120**  
**VAC220, Model H220 (CE)**

surface mounted with electric cord

**MODEL GF-120**  
**VAC220, Model F220 (CE)**

recessed mounted to be hard wired

Specification: 120 volt, 10 amps, 50/60 hz, 415 air watts, 115" H2O lift  
 220/230volt, 5amps, 50/60 hz, 415 air watts, 115" H2O

# GarageVac Models



**GF-120**  
 In-wall installation where the unit fits flush into a 2x4 stud wall. Space saving. Can also be flush mounted into a garage cabinet. Minimum wall space required.



**GH-120**  
 surface mounted in the hobby shop. Can easily be moved to an other location. Compact and very fast excess to vacuum tools and hose

## INSTALLATION POSSIBILITIES FOR GARAGEVAC



**GH-120**  
 Install the vacuum close to the garage door. This way cars can be reached inside and outside the garage. Most effective installation. Minimal wall space.

## other InterVac Models



**Model RMH-120**  
 Installed as a traditional central vacuum system with a vacuum valve in the living room and the power unit on the other side of the wall, it could be the garage utility room or closet.

see our website:  
[www.intervacdesign.com](http://www.intervacdesign.com)



**Model F120**  
 (GF120 without the tool caddy)  
 Installed in the hallway of a town house. Easiest and lowest cost of having a central vacuum in your home.

see our website:  
[www.intervacdesign.com](http://www.intervacdesign.com)



Also available from **interVac™**

## CENTRAL VACUUM SYSTEMS

### IVD-660-F

Flush mounted



### IVD-660-H

Surface mounted



The first **COMPACT** Central Vacuum designed for homes less than 2500 square feet.

A powerful system with 660 air watts, 122 H<sub>2</sub>O lift, 121 CFM, 2 gallon dust bag capacity, compacted.

2 installation options:

**IVD660-F**, installed in a 2x4 stud wall, with the pipe system and electrical connections are all inside the wall. A clean look with only 3-7/8" extended from the wall.

**IVD660-H**, surface mounted, including side panels for a clean finished look and 5 feet power cord. The pipe system connects to the top of the vacuum. Easily replaces an old CV vacuum, or as a stand alone unit in high

## interVac™ VacPort™

VacPort is an unbreakable dust pan, with LED lights to guide your broom to the opening.



# Plan d'installation L-40 de surface en bois et en cloison sèche

## TEMPLATE for SCREW CENTERS for surface mounting vacuum

Template #L-40 (W600)  
Modele papier # L-40 (W600)

pattern of keyholes from  
the back of the vacuum.  
modele de serrure a  
l'arriere de l'aspirateur

mark all 4 centers accurately  
marquer tous les 4 centres  
avec precision.

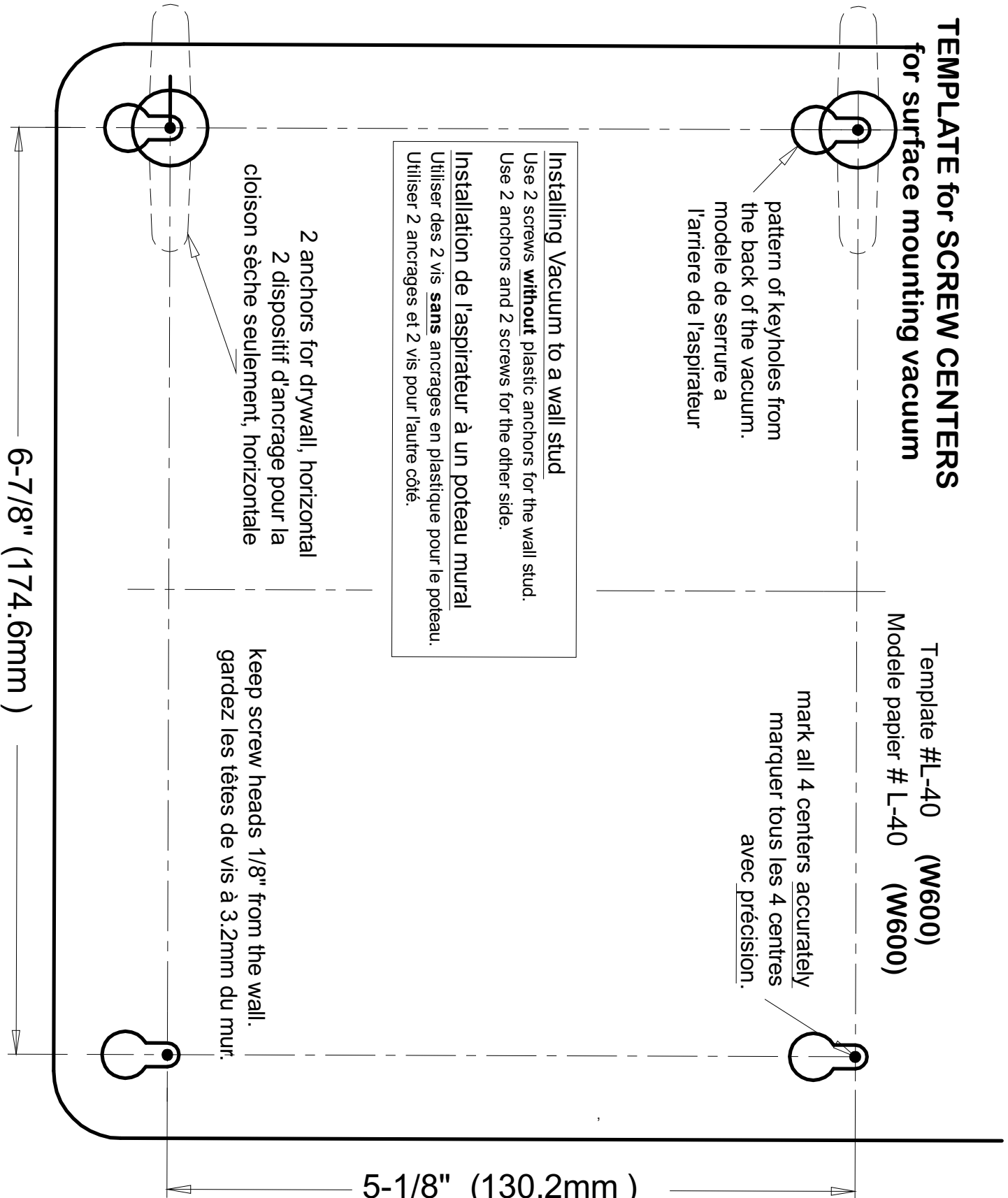
### Installing Vacuum to a wall stud

Use 2 screws **without** plastic anchors for the wall stud.  
Use 2 anchors and 2 screws for the other side.

Installation de l'aspirateur à un poteau mural  
Utiliser des 2 vis **sans** ancrages en plastique pour le poteau.  
Utiliser 2 ancrages et 2 vis pour l'autre côté.

2 anchors for drywall, horizontal  
2 dispositif d'ancrage pour la  
cloison sèche seulement, horizontale

keep screw heads 1/8" from the wall.  
gardez les têtes de vis à 3.2mm du mur.



CUT ALONG DOTTED LINE, save template for future references

Couper le long de la ligne en pointillé, enregistrez le modèle Pour les futures références