

AIR MOVING MOTOR: 7.2 in. / 182.9 mm. 120 V 2-Stage

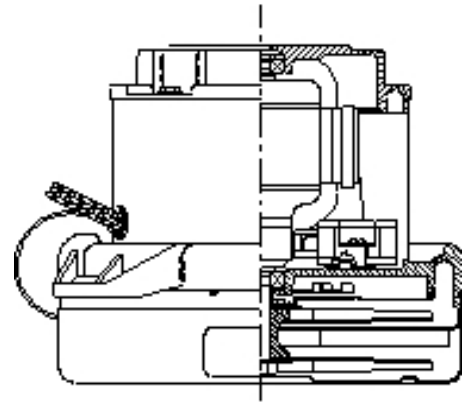
MODEL:115334

SPECIFICATIONS

Motor Type:	Series Universal
Input Voltage:	120 VAC, 50/60 Hz
Frequency:	50/60 Hz
Fan Diameter:	7.2 in./182.9 mm
No. Fan Stages:	2
Fan System Style:	Bypass
Air Discharge:	Tangential
Operating Temp:	32-104°F/0-40°C
Bearing System:	Ball/Ball
Frame:	Skeleton
Brush Type:	Carbon
Inlet Tube Dia.:	None
RFI Choke:	None
Speed:	1

ADDITIONAL FEATURES

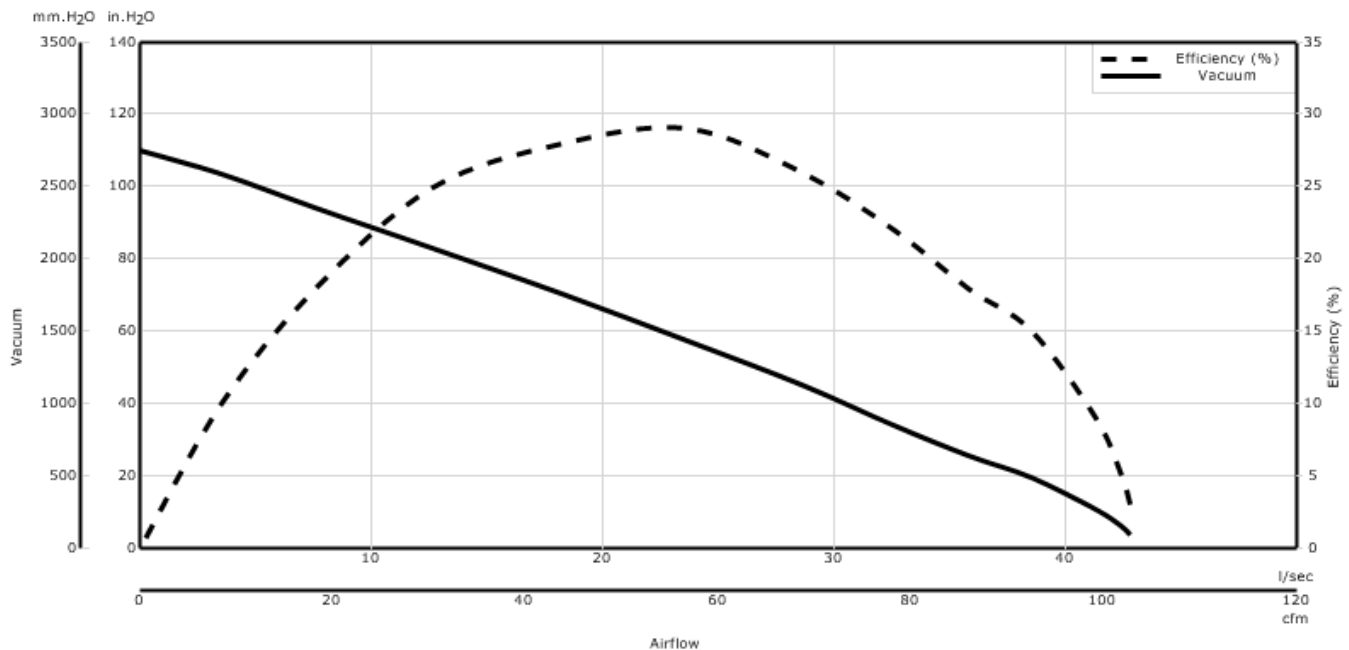
Regulatory:	UL Recognized, CSA certif
Comm Bracket:	Aluminum
Fan Bracket:	Aluminum
Therm Protect:	None
Insulation Class:	Class A
Added Bearing Prot.:	
Fan Shell Coat:	None
Electrical Conn.:	Lead Wires
Duty Cycle:	Intermittent
Special Feature:	



Design Application

Equipment operating in environments requiring separation of working air from motor ventilating air. Designed to handle clean, dry, filtered air only

PERFORMANCE



* Data represents performance of a typical motor sampled from a large production quantity. Individual motor data may vary, due to normal manufacturing variations."

Data shown is measured at regulated nominal voltage and normalized to standard atmospheric pressure and temperature.

ENGLISH

Orifice (inches)	Amps	Watts (In)	RPM	Vac (In. H2O)	Flow (CFM)	Air Watts
2.000	13.00	1440	16475	3.7	102.7	45
1.750	13.00	1440	16575	6.2	101.8	74
1.500	13.00	1444	16575	10.9	99.2	127
1.250	12.90	1436	16625	19.6	92.4	213
1.125	12.90	1420	16700	25.9	86.0	262
1.000	12.70	1408	16775	34.2	78.1	314
0.875	12.40	1380	17025	45.1	68.6	364
0.750	12.00	1332	17400	57.4	56.9	384
0.625	11.30	1272	18000	70.4	43.8	362
0.500	10.50	1192	18850	82.9	30.4	296
0.375	9.70	1112	19900	94.1	18.2	201
0.250	8.80	1008	20950	103.5	8.5	103
0.000	8.00	928	21800	110.0	0.0	0

METRIC

Orifice (mm)	Amps	Watts (In)	RPM	Vac (mm H2O)	Flow (l/Sec)	Air Watts
48.000	13.00	1440	16519	122.0	48.3	58
40.000	13.00	1443	16575	241.0	47.2	111
30.000	12.90	1427	16666	586.0	42.0	240
23.000	12.50	1387	16963	1,076.0	33.5	352
19.000	12.00	1331	17412	1,465.0	26.7	384
16.000	11.30	1274	17976	1,775.0	20.9	363
13.000	10.60	1200	18765	2,074.0	15.0	303
10.000	9.80	1124	19743	2,347.0	9.5	215
6.500	8.80	1013	20898	2,617.0	4.2	108
0.000	8.00	928	21800	2,794.0	0.0	0

* Metric data is calculated based on ASTM standards
 Box tests are performed to ASTM F558

WARNING: When using AMETEK vacuum motors in machines that come in contact with foam, liquid (including water), or other foreign substances, the machine must be designed and constructed to prevent those substances from reaching the fan system, motor housing, and electrical components. Ametek motors other than hazardous duty models should not be applied in machines that come in contact with dry chemicals or other volatile materials. Failure to observe these precautions could cause flashing (depending on volatility) or electrical shock which could result in property damage and severe bodily injury, including death in extreme cases. All applications incorporating Ametek motors should be submitted to appropriate organizations or agencies for testing specifically related to the safety of your equipment.