

# AIR MOVING MOTOR: 5.7 in. / 144.8 mm. 120 V 2-Stage

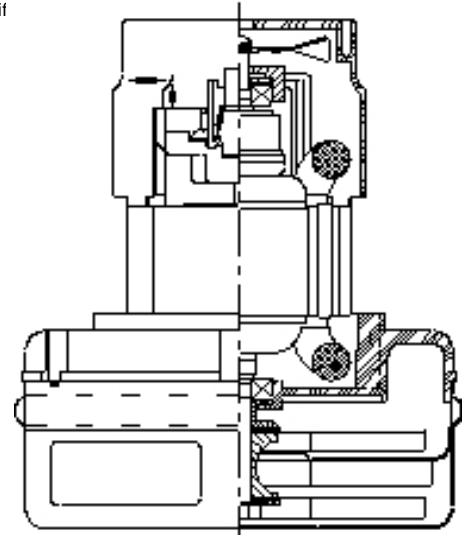
MODEL:116471-00

## SPECIFICATIONS

<b>Motor Type:</b>	Series Universal
<b>Input Voltage:</b>	120 VAC, 50/60 Hz
<b>Frequency:</b>	50/60 Hz
<b>Fan Diameter:</b>	5.7 in./144.8 mm
<b>No. Fan Stages:</b>	2
<b>Fan System Style:</b>	Bypass
<b>Air Discharge:</b>	Peripheral
<b>Operating Temp:</b>	32-104°F/0-40°C
<b>Bearing System:</b>	Ball/Ball
<b>Frame:</b>	Skeleton
<b>Brush Type:</b>	Carbon
<b>Inlet Tube Dia.:</b>	None
<b>RFI Choke:</b>	None
<b>Speed:</b>	1

## ADDITIONAL FEATURES

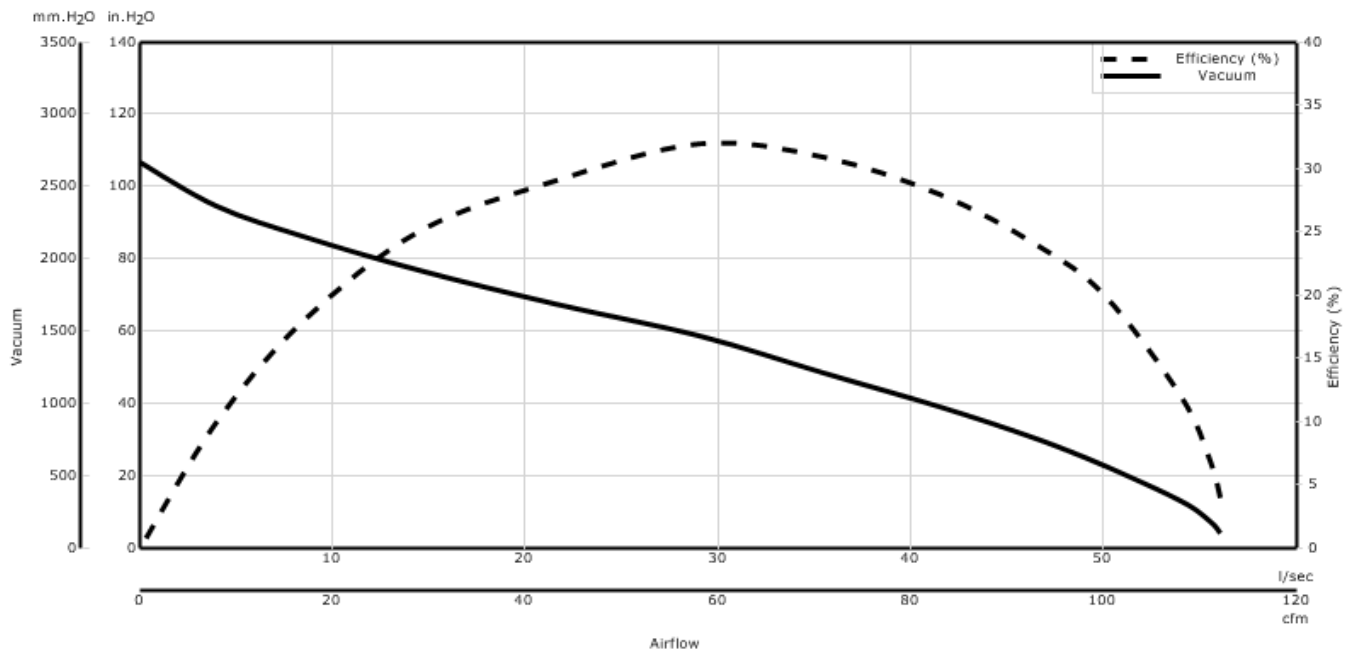
<b>Regulatory:</b>	UL Recognized, CSA certif
<b>Comm Bracket:</b>	Aluminum
<b>Fan Bracket:</b>	Plastic
<b>Therm Protect:</b>	None
<b>Insulation Class:</b>	Class A
<b>Added Bearing Prot.:</b>	
<b>Fan Shell Coat:</b>	None
<b>Electrical Conn.:</b>	Leads with terminals
<b>Duty Cycle:</b>	Intermittent
<b>Special Feature:</b>	



## Design Application

Equipment operating in environments requiring separation of working air from motor ventilating air.  
Designed to handle clean, dry, filtered air only

## PERFORMANCE



\* Data represents performance of a typical motor sampled from a large production quantity. Individual motor data may vary, due to normal manufacturing variations."

Data shown is measured at regulated nominal voltage and normalized to standard atmospheric pressure and temperature.

## ENGLISH

Orifice (inches)	Amps	Watts (In)	RPM	Vac (In. H2O)	Flow (CFM)	Air Watts
2.000	11.40	1323	19700	4.4	112.0	58
1.750	11.50	1335	19600	7.4	111.0	97
1.500	11.60	1349	19450	13.0	108.0	165
1.250	11.70	1363	19350	23.0	100.0	269
1.125	11.70	1365	19350	30.3	93.0	330
1.000	11.60	1345	19550	39.0	83.0	382
0.875	11.30	1308	19825	48.4	71.0	404
0.750	10.70	1253	20350	58.8	58.0	397
0.625	10.00	1173	21000	67.7	43.0	341
0.500	9.20	1079	21925	77.0	29.0	265
0.375	8.30	981	22975	86.2	17.0	176
0.250	7.60	903	24100	94.9	8.0	91
0.000	6.90	828	25400	106.7	0.0	0

## METRIC

Orifice (mm)	Amps	Watts (In)	RPM	Vac (mm H2O)	Flow (l/Sec)	Air Watts
48.000	11.40	1328	19656	145.0	52.7	75
40.000	11.60	1345	19495	288.0	51.4	145
30.000	11.70	1364	19350	686.0	45.4	303
23.000	11.40	1317	19756	1,170.0	34.9	399
19.000	10.70	1251	20363	1,498.0	27.2	396
16.000	10.00	1176	20974	1,711.0	20.6	343
13.000	9.30	1088	21833	1,932.0	14.3	273
10.000	8.40	996	22818	2,154.0	8.9	189
6.500	7.60	907	24044	2,399.0	4.0	95
0.000	6.90	828	25400	2,710.0	0.0	0

\* Metric data is calculated based on ASTM standards  
 Box tests are performed to ASTM F558

WARNING: When using AMETEK vacuum motors in machines that come in contact with foam, liquid (including water), or other foreign substances, the machine must be designed and constructed to prevent those substances from reaching the fan system, motor housing, and electrical components. Ametek motors other than hazardous duty models should not be applied in machines that come in contact with dry chemicals or other volatile materials. Failure to observe these precautions could cause flashing (depending on volatility) or electrical shock which could result in property damage and severe bodily injury, including death in extreme cases. All applications incorporating Ametek motors should be submitted to appropriate organizations or agencies for testing specifically related to the safety of your equipment.