



AMETEK

LAMB ELECTRIC

Product Bulletin

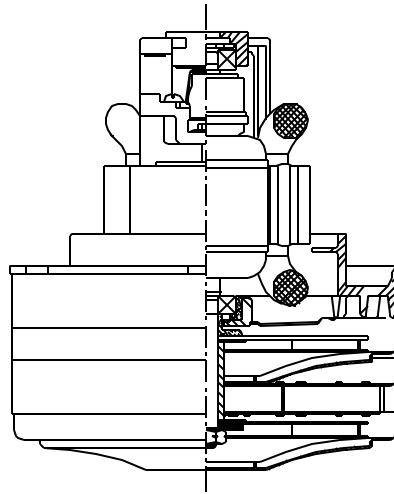
Model: 119800-00

DESCRIPTION

- Two stage
- 120 volts
- 5.7" / 145 mm diameter
- Double Ball bearings
- Single speed
- Thru-Flow discharge
- Thermoset fan end bracket
- Aluminum commutator bracket

DESIGN APPLICATION

- Equipment operating in environments not requiring separation of working air from motor ventilating air
- Designed to handle clean, dry, filtered air only



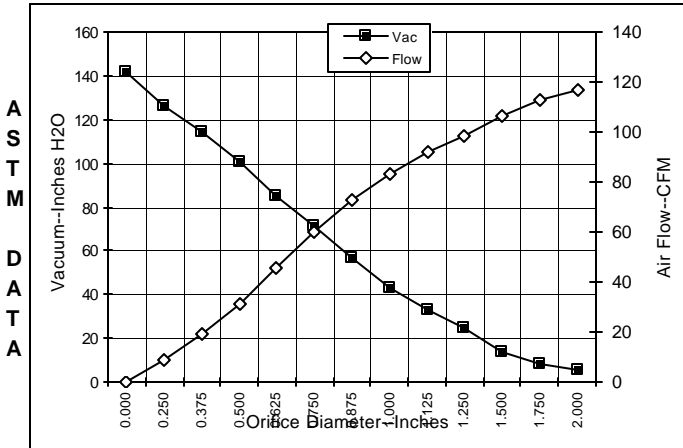
SPECIAL FEATURES

- Suitable for 120 volt AC operation, 50 or 60 Hz
- UL recognized, category PRGY2 (E47185)
- Provision for grounding
- Skeleton frame design
- Dual Tapered fan system
- High air flow fan system
- Thermal Device
- The Lamb vacuum motor line offers a wide range of performance levels to meet design needs

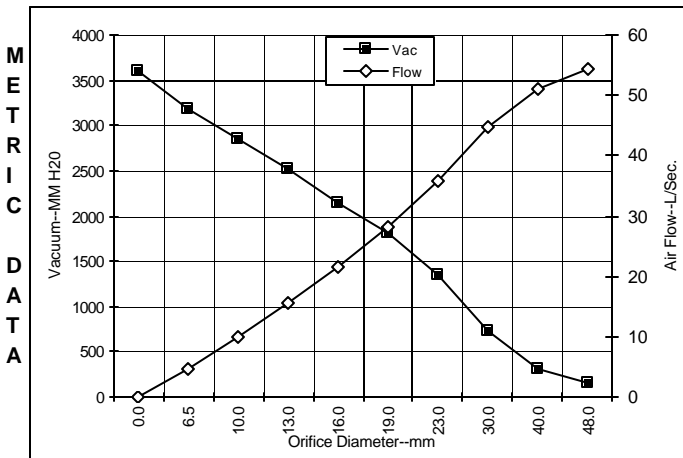


TYPICAL MOTOR PERFORMANCE.*

(At 120 volts, 60Hz, test data is corrected to standard conditions of 29.92 Hg, 68° F.)



Orifice (Inches)	Amps	Watts (In)	RPM	Vac (In.H ₂ O)	Flow (CFM)	Air Watts
2.000	11.0	1254	24442	5.0	116.8	69
1.750	11.0	1258	24409	8.1	112.8	107
1.500	11.0	1266	24327	13.7	106.6	172
1.250	11.2	1278	24209	24.3	98.4	281
1.125	11.2	1284	24144	32.6	92.1	354
1.000	11.3	1288	24104	43.4	83.6	426
0.875	11.2	1281	24161	56.7	73.1	488
0.750	10.9	1252	24459	71.1	59.9	501
0.625	10.4	1194	25052	85.1	45.4	454
0.500	9.6	1102	26125	100.6	31.5	372
0.375	8.5	982	27654	114.6	18.8	254
0.250	7.4	867	29425	125.7	9.0	134
0.000	6.6	769	31260	142.0	0.0	0



Orifice (mm)	Amps	Watts (In)	RPM	Vac (mm H ₂ O)	Flow (L/Sec)	Air Watts
48.0	11.0	1256	24427	162	54.3	86
40.0	11.0	1264	24352	306	51.2	153
30.0	11.2	1281	24173	734	44.8	321
23.0	11.2	1283	24147	1356	35.7	473
19.0	10.9	1251	24471	1812	28.1	500
16.0	10.4	1196	25028	2146	21.7	456
13.0	9.7	1111	26018	2516	15.5	380
10.0	8.7	1000	27425	2856	9.8	272
6.5	7.5	873	29336	3179	4.5	140
0.0	6.6	769	31260	3607	0.0	0

Note: Metric performance data is calculated from the ASTM data above.

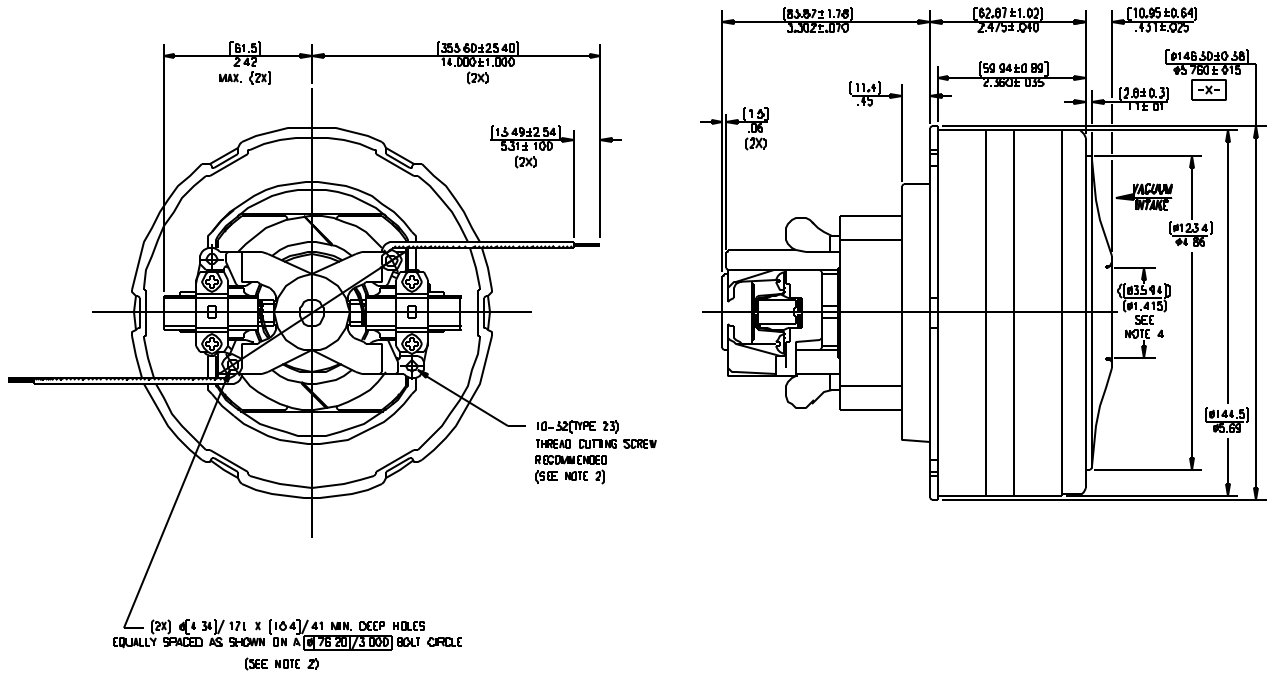
* Data represents performance of a typical motor sampled from a large production quantity. Individual motor data may vary to normal manufacturer.

Test Specs:	120 volts	Minimum Sealed Vacuum:	TBA	ORIFICE:	7/8"	Minimum Vacuum:	TBA	Maximum Watts:	TBA
-------------	-----------	------------------------	-----	----------	------	-----------------	-----	----------------	-----

DIMENSIONS

NOTES:

1. LEADS: 18GA STRANDED; LEADS CAN BE ANY COLOR EXCEPT GREEN OR GREEN WITH YELLOW STRIPE
2. GROUNDING OR EARTHING PROVISIONS USE HOLES AS INDICATED FOR GROUNDING OR EARTHING. REFER TO APPROPRIATE LISTING OR REGULATORY AGENCY FOR PROPER METHOD OF GROUNDING OR EARTHING.
3. MOTOR IDENTIFICATION: MANUFACTURER'S NAME, MODEL NUMBER, VOLTAGE, FREQUENCY, INSPECTOR'S CODE, DATE OF MANUFACTURE, AGENCY RECOGNITION CODE, PLANT LOCATION CODE AND COUNTRY OF ORIGIN.
4. MOUNTING MUST NOT RESTRICT THIS DIAMETER.



IMPORTANT NOTE: Pictorial and dimensional data are subject to change without notice. Contact factory for current revision levels.

WARNING - Ametek/Lamb Electric thru-flow vacuum motors must never be used in applications in which wet or moist conditions are where dry chemicals or other volatile materials are present or where airflow may be restricted or blocked. Such motors are designed to permit the to pass over the electrical winding to cool it. Thus any foam, liquid (including water), dry chemical or other foreign substance will come in contact with the electrical conductors which could cause combustion (depending on volatility) or electrical shock. Failure to observe these precautions could result in property and severe personal injury, including death in extreme cases. All applications incorporating Lamb motors should be submitted to Underwriters Laboratories or other appropriate organizations or agencies for testing specifically related to the safety of your equipment.

AMETEK/Lamb Electric Division
 627 Lake Street
 Kent, Ohio 44240
 U.S.A.
 Tel: (330) 673-3451 Fax: (330) 673-8994
 www.lambelectric.com